



# WPG300

## Double Italian-Style Panini Supremo® Grill



### MAIN FEATURES

- Ribbed, cast-iron plates are great for grilled panini sandwiches, hamburgers, chicken, vegetables and more
- 17" x 9.25" cooking surface heats up quickly and distributes heat evenly
- Brushed stainless steel body construction and removable drip tray
- Hinged, auto-balancing top plate to handle foods up to 3" thick
- Thermostat is adjustable to 570°F for slow-to-quick cooking times
- Adjustable back feet for easy grease drainage
- Dual power ON and READY indicator lights
- Heat-resistant handles; no need for mitts or potholders
- Limited One Year Warranty

### ELECTRICAL

Voltage: 240

Frequency: 60Hz

Watts: 3200

Amps: 13.3

Plug Type: NEMA 6-20P 

Cord Length: 5 feet



### SALES FEATURES

Make perfectly grilled panini sandwiches and more with the 240V Waring® WPG300 Double Italian-Style Panini Supremo® Grill. Grooved, cast-iron plates heat evenly and quickly cook sandwiches, burgers, chicken, and vegetables up to 3" thick. Its brushed stainless steel body and removable drip tray are easy to clean. Includes dual POWER and READY indicator lights.

Double Italian-Style Panini Supremo® Grill

WPG300



@waringcommercial

©2020 Waring Commercial  
314 Ella T. Grasso Avenue, Torrington, CT 06790  
Tel. 800-492-7464 • Fax 860-496-9008

waringcommercialproducts.com



# Double Italian-Style Panini Supremo® Grill WPG300

## INCLUDED ACCESSORIES



**CAC105** Cleaning Brush

## OPTIONAL ACCESSORIES



**CAC144** Silicone Spatula  
for use with  
Nonstick PTFE Sheets



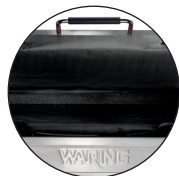
**029824** Allen Wrench



**035551** Allen Wrench Holder

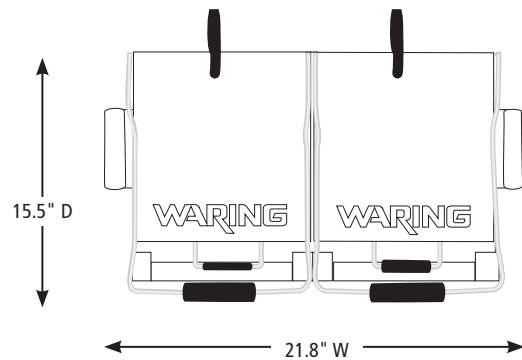
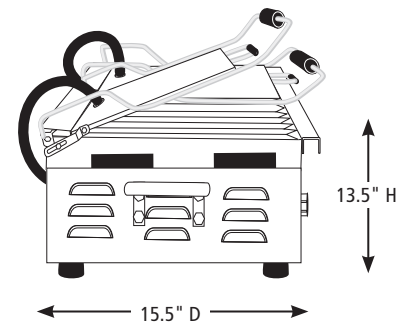
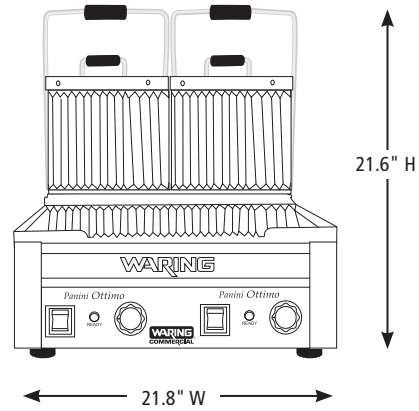


**CAC172** Conversion Kit  
with Clips and  
3-Pack PTFE Sheets  
(6 upper and  
3 lower sheets)



**CAC179** 3-pack of  
Custom PTFE Sheets  
(6 upper and  
3 lower sheets)

## DIMENSIONS



Out of Box Weight: 75 lb.

ORDERING INFORMATION	#STD. PKG.	GIFTBOX WEIGHT	CUBIC FEET	BOX DIMENSIONS D X W X H	UPC	CASE PKG.	MC WEIGHT	MC DIMENSIONS D X W X H	MBC
WPG300 – Double Italian-Style Panini Supremo® Grill	1	75.8	3.63	23.375" x 19.375" x 13.875"	040072006111	1	78.65	24" x 20.375" x 14.375"	10040072006118



@waringcommercial

©2020 Waring Commercial  
314 Ella T. Grasso Avenue, Torrington, CT 06790  
Tel. 800-492-7464 • Fax 860-496-9008

waringcommercialproducts.com

20WC071646 / REV 06/20