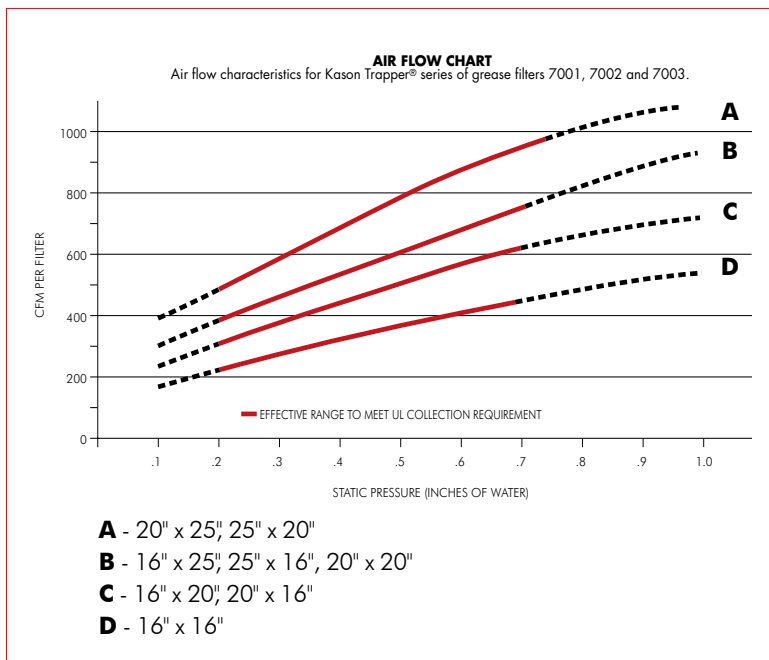
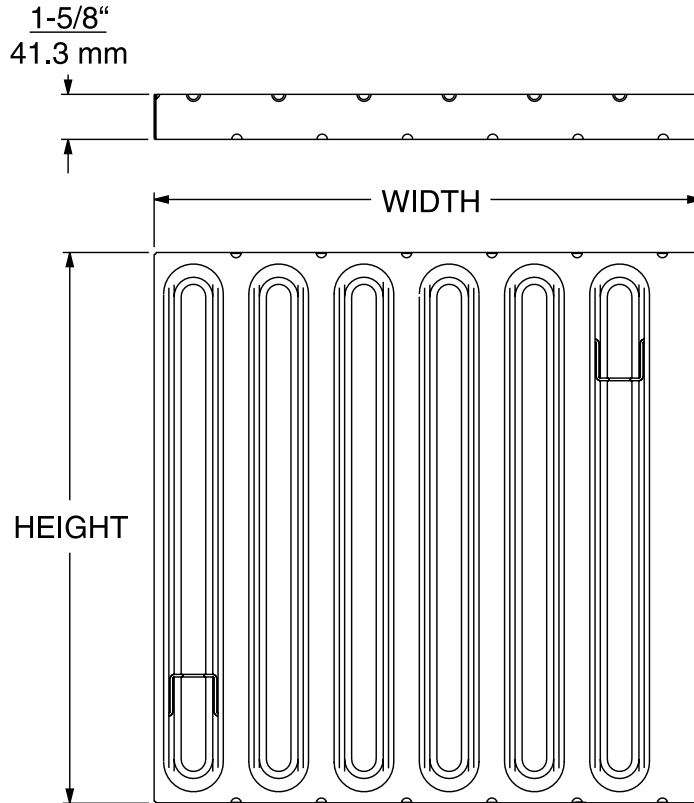
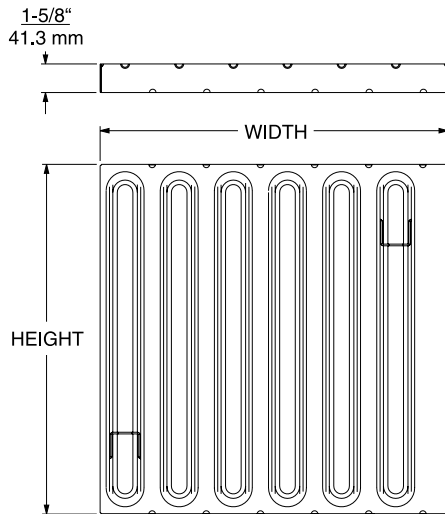


### 7001 SERIES TRAPPER GREASE FILTERS



**ORDERING INFORMATION ON FOLLOWING PAGE**

## 7001 SERIES TRAPPER GREASE FILTERS



STOCK SIZES AND AREAS	
NOMINAL H x W IN.	EFFECTIVE AREA SQ. FT. (SQ. M)
10 x 16	0.78 (0.07)
10 x 20	1.00 (0.09)
12 x 16	0.97 (0.09)
12 x 20	1.25 (0.11)
16 x 16	1.36 (0.126)
16 x 20	1.75 (0.163)
16 x 25	2.24 (0.208)
20 x 20	2.25 (0.209)
20 x 25	2.88 (0.268)

TRAPPER™ GREASE FILTERS			
SIZE: H x W IN. (cm)*	STAINLESS STEEL	ALUMINUM	GALVANIZED STEEL
	Model No.	Model No.	Model No.
10x16 (25x41)	7001001016	7002001016	7003001016
10x20 (25x50)	7001001020	7002001020	7003001020
12x16 (30x41)	7001001216	7002001216	7003001216
12x20 (30x50)	7001001220	7002001220	7003001220
16x16 (41x41)	7001001616	7002001616	7003001616
16x20 (41x50)	7001001620	7002001620	7003001620
16x25 (41x64)	7001001625	7002001625	7003001625
20x16 (50x41)	7001002016	7002002016	7003002016
20x20 (50x50)	7001002020	7002002020	7003002020
20x25 (50x64)	7001002025	7002002025	7003002025
25x16 (64x41)	7001002516	7002002516	7003002516
25x20 (64x50)	7001002520	7002002520	7003002520

7000LOCKHL Locking handles, set of two, for all Trapper® models.

\*First number indicates vertical height; second number indicates width. Both are commercial nominal dimensions. Actual sizes are 1/2" (13mm) less than nominal.

CFM PER FILTER	EFFECTIVE RANGE LIMITS STATIC PRESSURE CHART				
	16x16	16x20 20x16	16x25 25x16	20x20	20x25 25x20
200	0.12				
250	0.20	0.11			
300	0.29	0.17			
350	0.41	0.24	0.14	0.12	
400	0.53	0.30	0.19	0.18	
450	0.67	0.36	0.26	0.24	0.15
500		0.44	0.32	0.30	0.19
550		0.56	0.38	0.36	0.23
600		0.64	0.45	0.43	0.28
650			0.52	0.50	0.33
700			0.59	0.57	0.38
750			0.66	0.64	0.44
800					0.49
850					0.55
900					0.61
950					0.67
1000					0.72