



"WE MAKE THE KITCHEN BETTER!"

Toll Free: 855-855-0399 Email: info@atosausa.com
www.atosa.com | www.atosausa.com
California, Colorado, Florida, Georgia, Illinois,
Massachusetts, New Jersey, Ohio, Texas, Washington

MODELS:
YR140-AP-161

140 lb. Ice Machine

Standard Features

- Up to 142 lb. production ice machine (per 24 hrs)
- Built-in storage capacity of 88 lbs.
- Durable stainless steel exterior
- Slanted black plastic bin door
- Ice scoop included
- Height includes leg levelers
- Air cooled condenser
- For freestanding or built-in applications
- Requires use of a drain
- ETL Listed and ETL Sanitation Listed
- Removable air filter
- Power switch accessible without panel removal



Water filter recommended - maintenance and cleaning are not covered under warranty

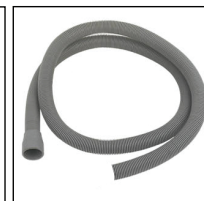
Half-diced cube



Inlet hose



Drain hose



Ice scooper



Dimension(inch)

3/8×7/8×7/8

1. Don't forget to leave the unit some room to breathe!
2. Please clean the condenser frequently to give the unit more fresh air.



2 YEAR PARTS AND LABOR WARRANTY (US ONLY)
5 YEAR COMPRESSOR PART WARRANTY (US ONLY)

ATOSA USA



For confirmation and updates on the latest energy star models, please visit energystar.gov



“WE MAKE THE KITCHEN BETTER!”

Toll Free: 855-855-0399 Email: info@atosausa.com

www.atosa.com | www.atosausa.com

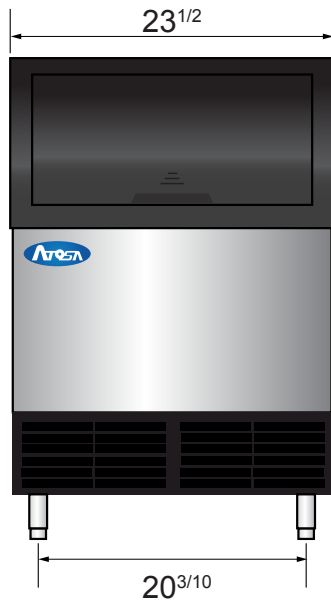
California, Colorado, Florida, Georgia, Illinois, Massachusetts, New Jersey, Ohio, Texas, Washington

SPECIFICATIONS

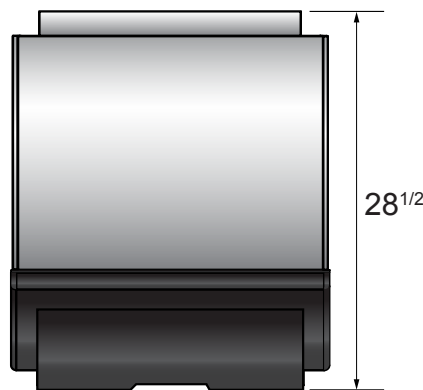
Model	Type	Refrigerant	Voltage (V/Hz/Ph)	Amps(A)	Watts(W)	kWh/100 lbs Ice	Ice-Making Capacity (lbs/hr)	Leg (inch)	Exterior Dimensions (inch)	Gross Weight (lbs)
YR140-AP-161	Cube ice	R290	115/60/1	3.1	363	6.13	142/24	6	23 ^{1/2} ×28 ^{1/2} ×38 ^{3/5}	176

PLAN VIEW

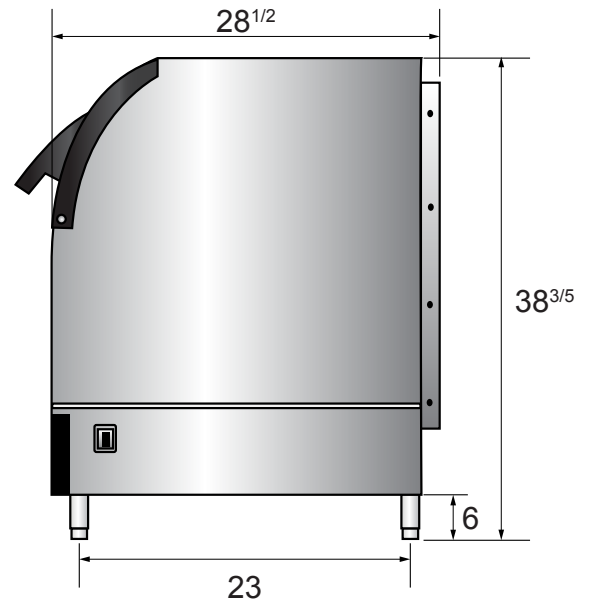
YR140-AP-161 Front View



YR140-AP-161 Top View



YR140-AP-161 Side View



Ice machine comparison

Models	Type	Refrigerant	Voltage (V/Hz/Ph)	Amps(A)	Watts(W)	kWh/100 lbs Ice	Ice-Making Capacity (lbs/hr)	Leg (inch)	Exterior Dimensions (inch)	Gross Weight (lbs)
YR280-AP-161	Cube ice	R290	115/60/1	7.2	704	5.97	283/24	6	23 ^{1/2} ×28 ^{1/2} ×38 ^{3/5}	187
YR450-AP-161	Cube ice	R290	115/60/1	9.6	965	5.04	460/24	6	30 ^{1/5} ×24 ^{9/20} ×21 ^{7/10}	158
YR800-AP-261	Cube ice	R-404a	220/60/1	7.5	1750	5.18	810/24	6	30 ^{1/5} ×24 ^{9/20} ×31 ^{7/10}	231