

dyson airblade tap

AB 09 AB 10 AB 11

Electrical

Input voltage/Frequency: 110V-120V 60 Hz

Rated power: 1400 W

Motor type: Dyson digital motor – V4 brushless DC Motor

Motor switching rate: 6,100 per second

Motor speed: 92,000 rpm

Operating temperature range: 32° – 104°F

Heater type: None

Standby power consumption: Less than 0.5 W

Construction

Tap construction: Stainless steel (brushed)

Lead Free

Under counter motor bucket: Molded ABS (main unit) also uses polycarbonate and polypropylene

Exterior screw type: Torx T15

Water ingress protection rating to IP35

Filter

HEPA filter (glass fiber and fleece prelayer)

Bacteria removal 99.97% at 0.3 microns

Operation

Touch-free infra-red activation

Hand dry time measurement: 14 seconds (Measurement based on National Sanitation Foundation Protocol P335)

Operation lock-out period: 30 seconds

Airspeed at apertures: 420 mph

Operating airflow: Up to 7.92 gal/sec

Rated operating noise power: 85 db(A)

Water operation

Water flow rate: 1.06 gal/min

Tap Aerator: 0.5 gal/min aerator outlet

Tap power supply: Mains supply

Water temperature control: Thermostatic mixer recommended (not supplied)

Water pressure required: 14.5-116 psi

Logistics

Serial number prefix: AB09 AN5; AB10 AN6; AB11 AN7

Single unit order code: AB09 25992-01; AB10 25993-01; AB11 25994-01

Net weight: AB09 9.5 lbs.; AB10 10.1 lbs.; 19.7 lbs.

Packaged weight: AB09 13.4 lbs.; AB10 14.3 lbs.; 25.9 lbs.

Packaged dimensions: AB09 H11 $\frac{1}{8}$ " x W11 $\frac{1}{8}$ " x D11 $\frac{1}{4}$ ";

AB10 H10 $\frac{7}{8}$ " x W17 $\frac{1}{4}$ " x D11"; AB11 H11 $\frac{1}{8}$ " x W24" x D14 $\frac{3}{4}$ "

Unit barcode: AB09 8799 5700 9110;

AB10 8799 5700 9127; AB11 8799 5700 9141

Sink specifications

The Dyson Airblade™ Tap is compatible with most sink types.

Ensure plugs are not installed in the sinks.

Sink dimensions: All sink measurements are internal unless stated otherwise.

Width of sink – Minimum: 13 $\frac{3}{4}$ ", Front to back – Minimum: 11 $\frac{3}{4}$ ";

Depth of sink – Minimum 4"

Maximum depth of sink for AB10 only: 7 $\frac{7}{8}$ " (External measurement of vessel sink).

Sink materials: Sinks with highly polished surfaces should be avoided e.g. shiny chrome.

Standard guarantee

5 year parts and 5 year limited labor warranty



Product range

AB09 Short

AB10 Long

AB11 Wall



Accreditations

Carbon Trust

HACCP International

NSF International



The Carbon Reduction Label is the registered trademark of the Carbon Trust. HACCP International non-food certification mark is the registered trademark of HACCP International. HACCP International have certified Dyson products based on their recommended installation and operating conditions. The NSF logo is the registered trademark of NSF International.

For further information please contact Dyson.

1-888-397-6622

www.dysonairblade.com

airbladeinfo@dyson.com

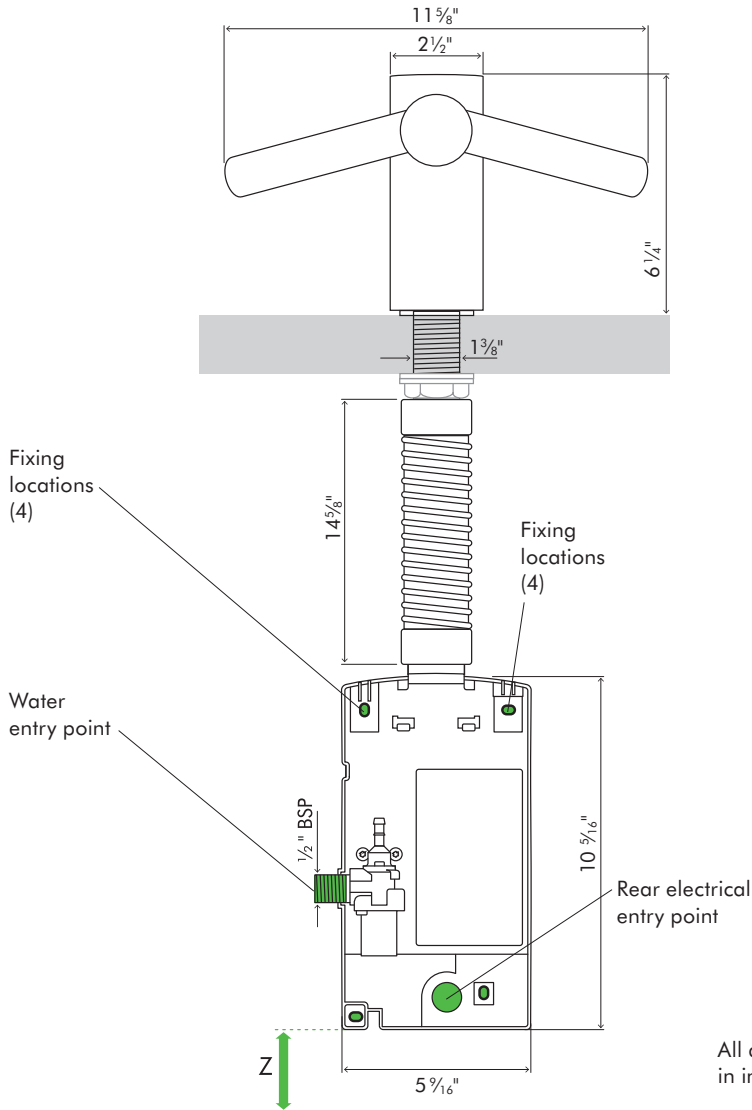
dyson airblade tap

TECHNICAL SPECIFICATION

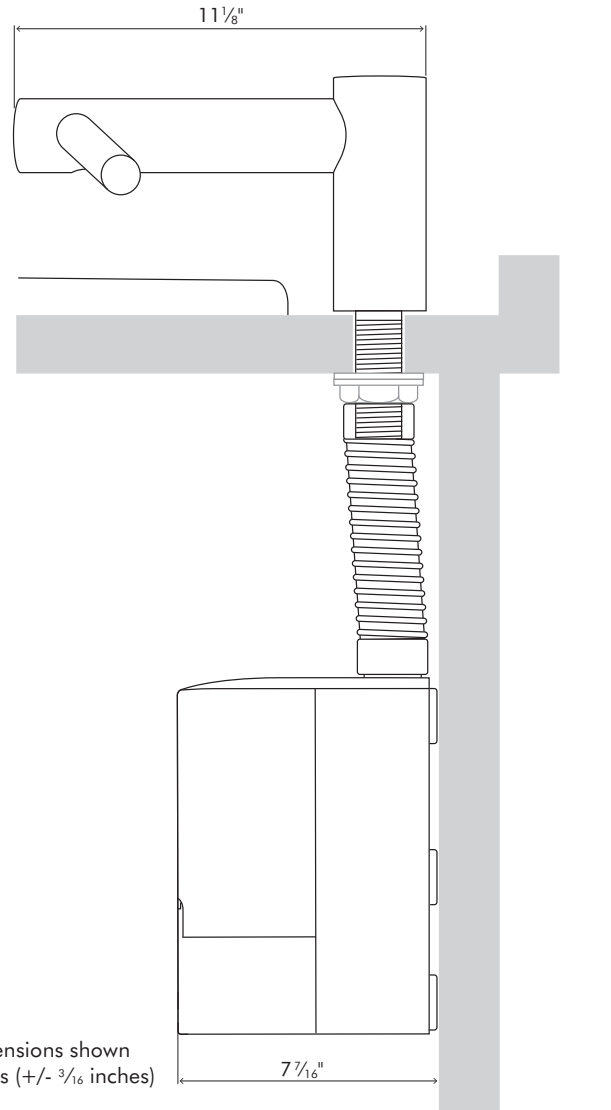
AB AB AB
09 10 11



FRONT ELEVATION



SIDE ELEVATION



All dimensions shown in inches (+/- 3/16 inches)

FLOOR

Tap dimensions

AB09 Height 6 1/4" Width 11 5/8" Depth 11 1/8"

Motor bucket dimensions

AB09 Height 10 5/16" Width 5 9/16" Depth 7 7/16"

Minimum clearance

Z 4" clearance from floor.

For further information please contact Dyson.
1-888-397-6622 • www.dysonairblade.com • airbladeinfo@dyson.com

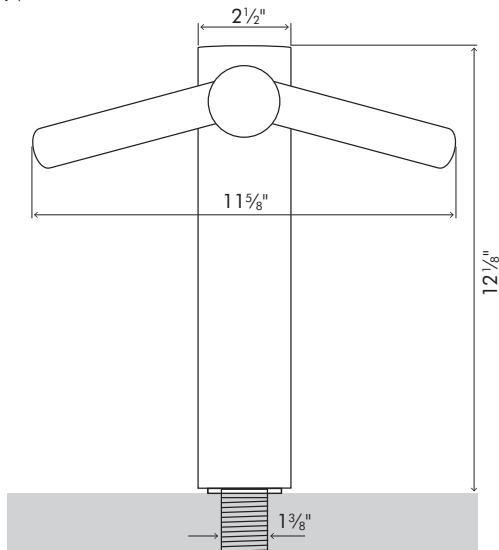
dyson airblade tap

TECHNICAL SPECIFICATION

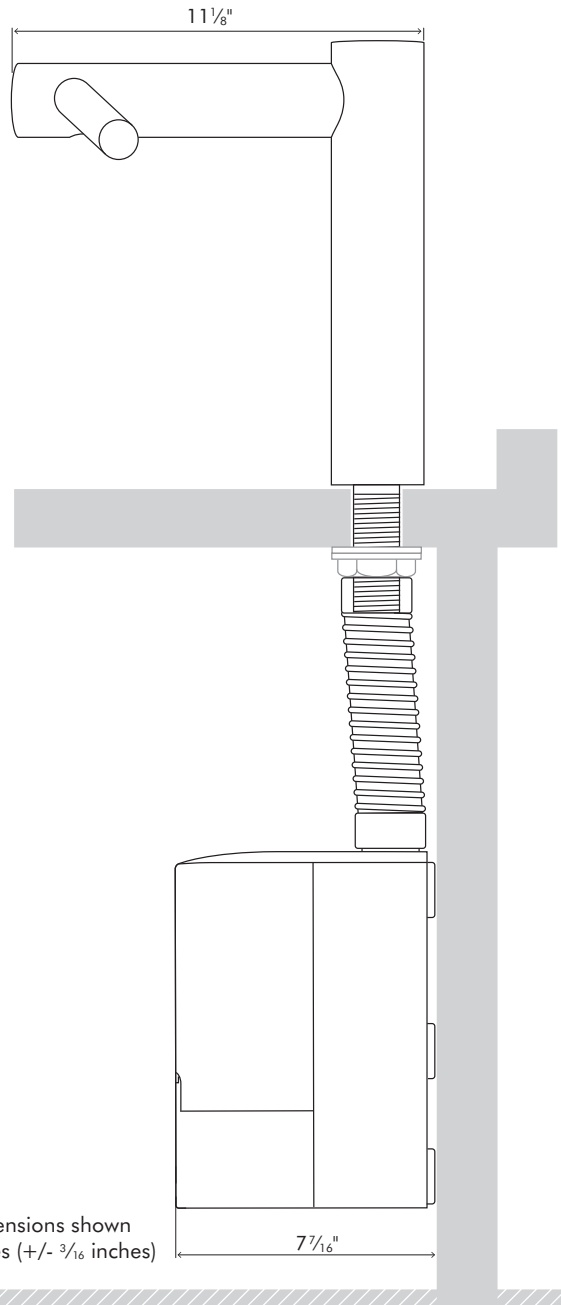


AB AB AB
09 10 11

FRONT ELEVATION



SIDE ELEVATION



Fixing locations (4)

Water entry point

Z

Fixing locations (4)

Rear electrical entry point

All dimensions shown in inches (+/- 3/16 inches)

FLOOR

Tap dimensions

AB10 Height 12 1/8" Width 11 5/8" Depth 11 1/8"

Motor bucket dimensions

AB10 Height 10 5/16" Width 5 9/16" Depth 7 1/16"

Minimum clearance

Z 4" clearance from floor.

For further information please contact Dyson.

1-888-397-6622 • www.dysonairblade.com • airbladeinfo@dyson.com

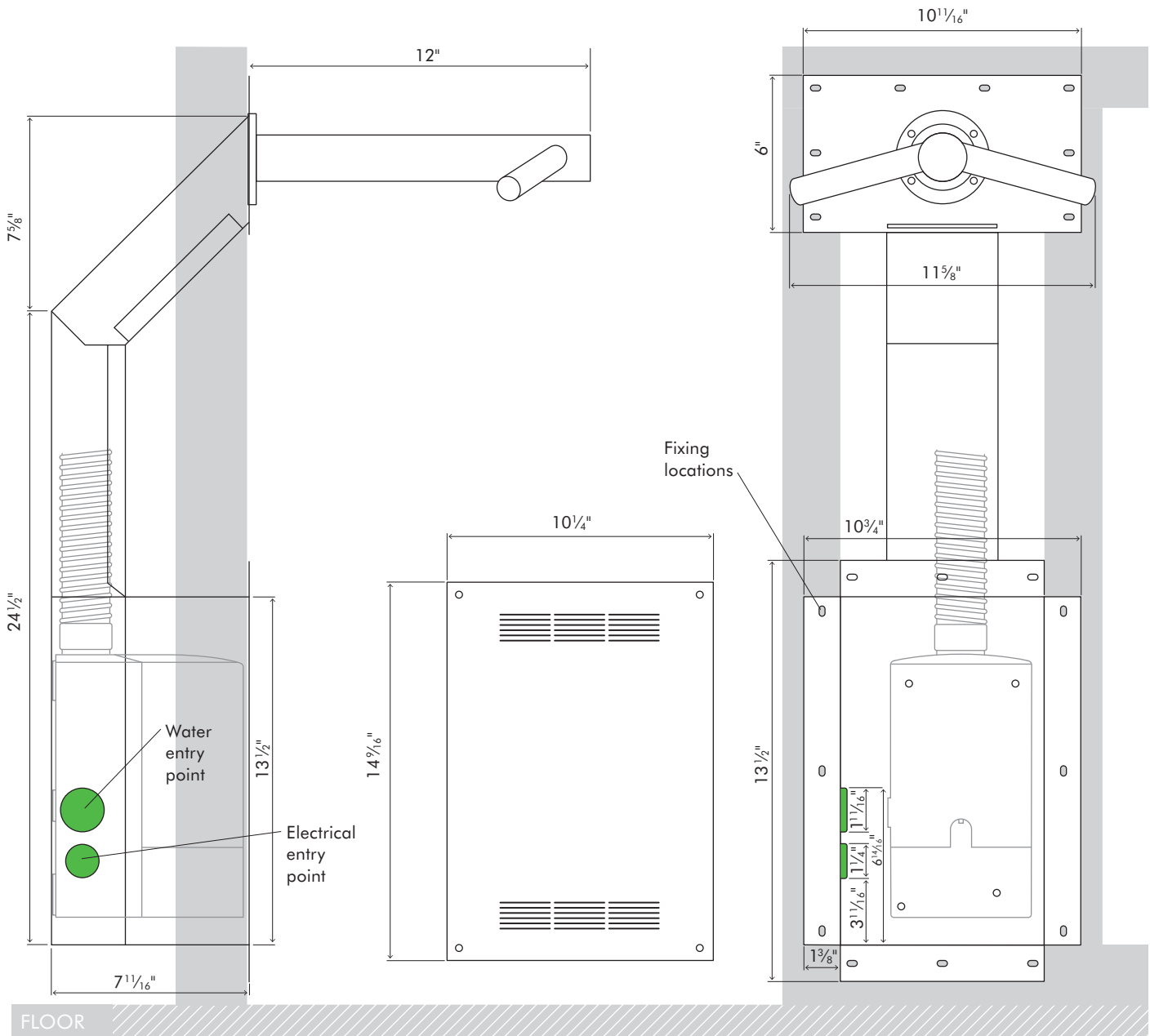
dyson airblade tap

TECHNICAL SPECIFICATION

AB AB AB
09 10 11



FRONT ELEVATION



Tap dimensions

AB11 Length 12¹/₁₆" Width 11⁵/₁₆"

Motor bucket dimensions

AB11 Height 10⁵/₁₆" Width 5⁵/₁₆" Depth 7⁷/₁₆"

All dimensions shown in inches (+/- ³/₁₆ inches)

For further information please contact Dyson.

1-888-397-6622

www.dysonairblade.com

airbladeinfo@dyson.com