



Range of California, Inc.

Item: _____

Quantity: _____

Project: _____

Thermostatic Griddle

Thermostatic Griddle

Models: <input type="checkbox"/> RTG-12	<input type="checkbox"/> RTG-18	<input type="checkbox"/> RTG-24	<input type="checkbox"/> RTG-36
<input type="checkbox"/> RTG-48	<input type="checkbox"/> RTG-60	<input type="checkbox"/> RTG-72	



Gas Type: Natural LP

Elevation (if above 2000 ft.): _____

Options and Accessories

- 1" thick griddle plate (12" - 48")
- Extra thermostat controls (one for each burner)
- Grooved griddle (specify width: _____")
- Chrome griddle plate
- Stainless Steel Equipment Stand
 - Knock Down All Welded

Size

- 12" 18" 24" 30" 36" 48" 60" 72"
- 5" swivel casters (set of four - 2 locking)
- 5" swivel casters (set of four - 2 locking) (60" and 72" stands)

Standard Features

- NEW 11" Low Profile
- NEW large 1½ gallon capacity S/S grease can
- Compact heavy gauge chassis for long life
- Stainless steel sides and front valve cover
- Double wall panels for cooler sides
- Aeration panels between the burners for added efficiency
- Steel "U" shaped burner every 12" rated at 30,000 BTU/hr
- Energy saving thermostat is adjustable from 150° to 450° F
- 3/4" thick griddle plate with polished cooking surface, 1" thick plate on 60" and 72" models
- Thermo control to operate every two burners
- 4" wide S/S grease trough with large drain opening for easy cleaning
- Stainless steel tubing for burners and pilots
- 4" high adjustable heavy duty legs included
- One year limited warranty, parts and labor



Intertek Intertek

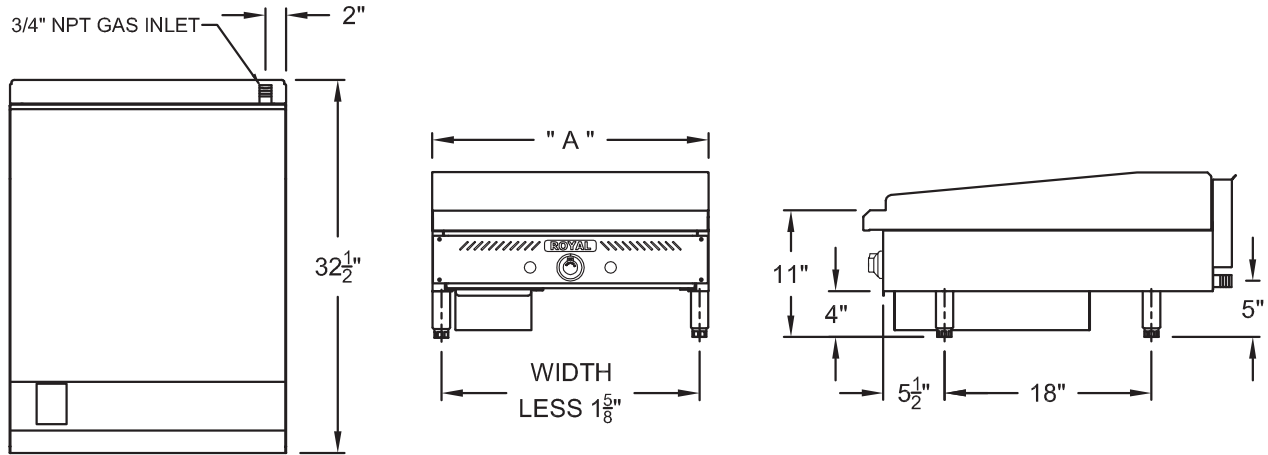
Royal Range of California, Inc.

3245 Corridor Dr. • Eastvale, CA 91752 • (800) 769-2414 • (951) 360-1600

Fax: (951) 360-7500 • www.royalranges.com • sales@royalranges.com



Thermostatic Griddle



Model Number	Width (A)	Number of Thermostats	Number of Burners	Total BTU	Ship Weight
RTG-12	12"	1	1	30,000	145 lbs.
RTG-18	18"	1	1	30,000	170 lbs.
RTG-24	24"	1	2	60,000	215 lbs.
RTG-36	36"	2	3	90,000	300 lbs.
RTG-48	48"	2	4	120,000	350 lbs.
RTG-60	60"	3	5	150,000	640 lbs.
RTG-72	72"	3	6	180,000	745 lbs.

Gas Connection:

3/4" NPT on the right hand rear of the appliance.
The pressure regulator (supplied) is to be connected by the installer.

Gas Pressure:

5" W.C.	Natural Gas
10" W.C.	Propane

Clearances:

	Combustible	Non-Combustible
Rear	6"	0"
Sides	15"	0"

Specify type of gas and altitude, if over 2,000 feet, when ordering.

Due to continuing product development to ensure best possible performance, these specifications are subject to change without prior notification.

Royal Range of California, Inc.
3245 Corridor Dr. • Eastvale, CA 91752 • (800) 769-2414 • (951) 360-1600
Fax: (951) 360-7500 • www.royalranges.com • sales@royalranges.com