

PROJECT: \_\_\_\_\_

LOCATION: \_\_\_\_\_

ITEM#: \_\_\_\_\_

QUANTITY: \_\_\_\_\_


**C-SP27-8-HC**

**C-SP48-12-HC**

**C-SP60-16-HC**

**C-SP72-18-HC**

# STANDARD TOP SANDWICH PREPARATION TABLES

- Beautiful ergonomic construction & rounded corners
- Digital Controller with Temperature Read-out
- All stainless steel exterior and interior
- Forced air refrigeration system
- 9<sup>1/4</sup>" deep cutting board included
- Recessed door handles
- Pre-installed casters and shelving
- 90 degree hold open door feature for loading products
- All Natural R290 Hydrocarbon Refrigerant
- US Department of Energy Certified
- Migali Industries® Protection Plan: 1 Year Parts & Labor Warranty, 5 Years Compressor Warranty

| MODEL        | DOORS | NUM. OF (1/6) SIZE PANS* | CAPACITY CU/FT | SHELVES | H/P | AMPS | VOLTAGE  | ENERGY CONSUMPTION KWH/24 HR | PLUG TYPE  | TEMP RANGE           | EXTERIOR DIMENSIONS W X D X H* | INSIDE DIMENSIONS W X D X H** | PACKAGED DIMENSIONS W X D X H** | WEIGHT   | PACKAGED WEIGHT |
|--------------|-------|--------------------------|----------------|---------|-----|------|----------|------------------------------|------------|----------------------|--------------------------------|-------------------------------|---------------------------------|----------|-----------------|
| C-SP27-8-HC  | 1     | 8                        | 6.5            | 1       | 1/4 | 3.3  | 115/60/1 | 1.6                          | Nema 5-15P | +33° F (~)<br>+41° F | 27.5" x 30" x 44.3"            | 23.9" x 23.6" x 26.7"         | 30" x 33" x 46"                 | 185 lbs. | 193 lbs.        |
| C-SP48-12-HC | 2     | 12                       | 12             | 2       | 1/3 | 5.1  | 115/60/1 | 1.9                          | Nema 5-15P | +33° F (~)<br>+41° F | 48.2" x 30" x 44.3"            | 44.7" x 23.6" x 26.7"         | 51" x 33" x 46"                 | 242 lbs. | 270 lbs.        |
| C-SP60-16-HC | 2     | 16                       | 18.2           | 2       | 1/2 | 5.1  | 115/60/1 | 2.1                          | Nema 5-15P | +33° F (~)<br>+41° F | 60.2" x 30" x 44.3"            | 56.7" x 23.6" x 26.7"         | 64" x 33" x 46"                 | 294 lbs. | 307 lbs.        |
| C-SP72-18-HC | 3     | 18                       | 24.5           | 3       | 1/2 | 5.7  | 115/60/1 | 2.3                          | Nema 5-15P | +33° F (~)<br>+41° F | 72.7" x 30" x 44.3"            | 56.7" x 23.6" x 26.7"         | 75" x 33" x 46"                 | 375 lbs. | 366 lbs.        |

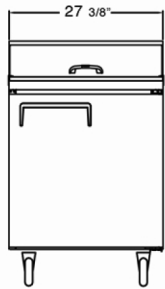
\* Pans are not included

\*\* Total height includes casters

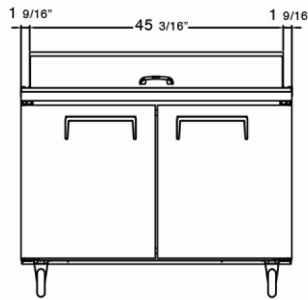
NOTE: MIGALI® RESERVES THE RIGHT TO CHANGE SPECIFICATIONS WITHOUT NOTICE

# DIMENSIONAL DRAWINGS

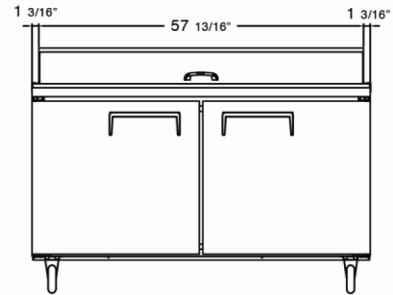
**C-SP27-8-HC**



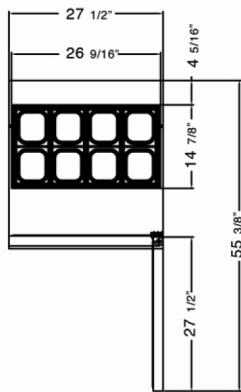
**C-SP48-12-HC**



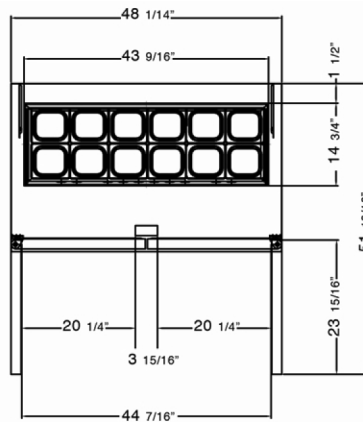
**C-SP60-16-HC**



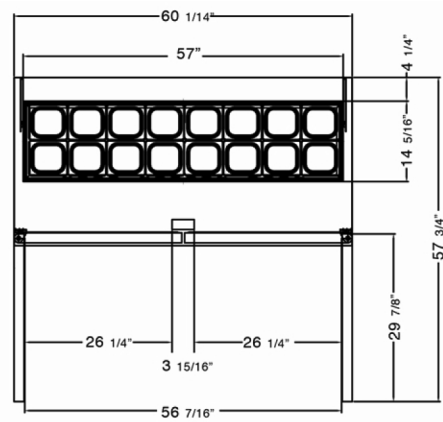
**C-SP27-8-HC  
TOP VIEW**



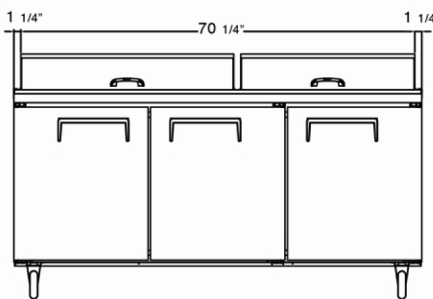
**C-SP48-12-HC  
TOP VIEW**



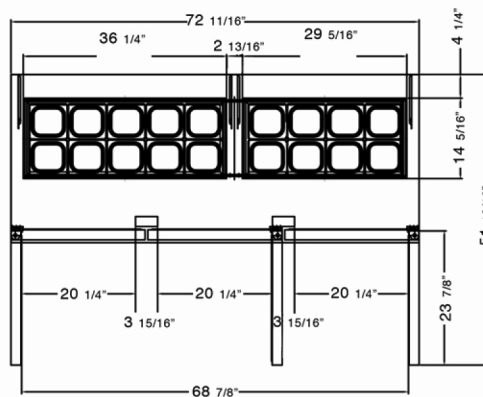
**C-SP60-16-HC  
TOP VIEW**



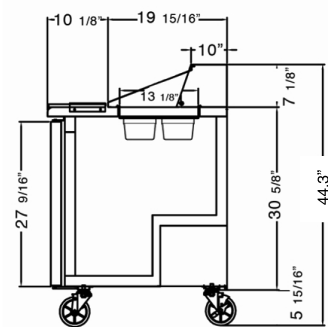
**C-SP72-18-HC**



**C-SP72-18-HC TOP VIEW**



**SIDE VIEW(1,2,3)**



**Migali**

MIGALI® REMAINS AN AMERICAN FAMILY COMPANY SINCE 1955