



AX-CL10D

Full Size Combi Oven
Digital Controls - Reversing Fans - 10 Shelves



| | |
|-------------------------------------|--|
| Digital controls | Time, temperature, steam, 4 cooking cycles for each program, automatic pre-heating |
| Load capacity | 10 shelves for full size sheet pans |
| High speed reversing fans | 3 (3,200 rpm) |
| Space between shelves | 3.14" (80 mm) |
| Power requirements | 20,000 Watts / 208-240V/60/3 Oven supplied with power cord only / no plug |
| Temperature | 86° - 500° F |
| Equipped with | 16 hour timer Signal at end of cycle |
| Cavity size (inches) | 28.35 x 22.20 x 37.32 (WxDxH) |
| Unit dimensions (inches) | 38.60 x 33.64 x 49.58 (WxDxH) |
| Shipping dimensions (inches) | 41.35 x 40.55 x 52.37 (WxDxH) |
| Net / Ship weight | 313 lb / 353 lb |

Features

- Advanced airflow design
- Automatic reversing fans - 2 speeds
- Digital programmable controls / 99 programs / automatic pre-heating / 4 cooking cycles for each program
- Interior halogen light
- Includes electro valve for direct water connection
- Core food probe included / Delta T Cooking
- Adjustable steam percentage (0-100%)
- Adjustable exhaust flue
- Heavy duty stainless steel body construction
- "Cold Door" design with double pane glass
- Reinforced door hinges
- Oven cavity is insulated with ultra-high temperature fiberglass insulation
- 4 Stainless steel wire shelves
- Micro safety switch shuts oven off when door is open
- Self-cleaning cycle
- Ovens can be stacked (kit required)
- Warranty: 2 year parts & 1 year labor exclusive of lights, gaskets and glass (60 days)

COMBI ACCESSORIES



AX-C10ST OVEN STAND

- Heavy duty oven stand with tray support
- Slides accommodate full size pans
- Dimensions: 33.47" x 24.40" x 31.50"
- Heavy duty stainless steel (assembly required)
- Ship weight: 54 lbs
- Shipping dimensions: 38.60" x 28.35" x 8.66"



R15 CASTERS

Set of 4 (2 with brakes)



STACKING KIT



HEAVY DUTY DEGREASER RTU



COMBI OVEN CLEANER



WATER FILTER

COMBI OVEN TRAYS



124-GP31 FRY GRID



124-GP32 GRIDDLE GRID



124-GP28 GRANITE MULTI-BAKING TRAY



124-GP36 MULTIFUNCTIONAL NON STICK ALUMINUM TRAY



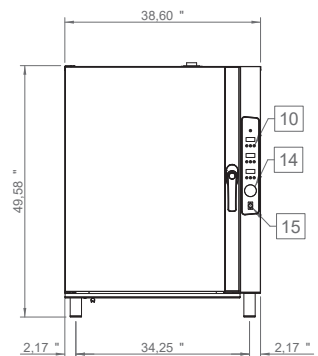
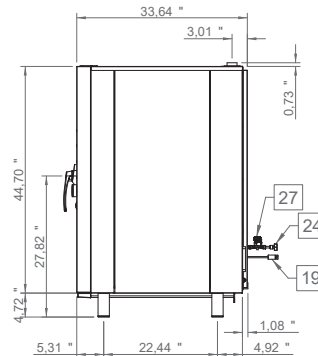
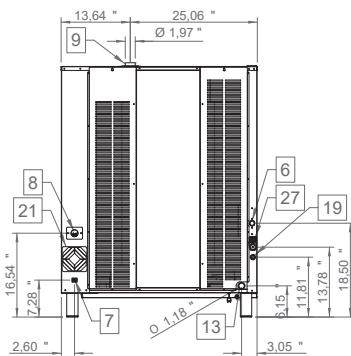
124-PT12 60X40 ALUMINUM PERFORATED TRAY



124-PT13 60X40 ALUMINUM TRAY

LINE DRAWINGS

AX-CL10D



514-737-9701 786-600-4687

TOLL FREE: 888-275-4538

TOLL FREE: 844-218-8477

5659 ROYALMOUNT AVE, MONTREAL, QC, CANADA H4P2P9

12000 BISCAYNE BLVD, SUITE #108, MIAMI, FL, USA 33181

MVPGROUPCORP.COM SALES@MVPGROUPCORP.COM