



AX-513

**Half Size Convection Oven
Manual controls - 3 shelves**



Manual controls	Time, temperature	Features
Load capacity	3 shelves for half size sheet pans	• Advanced airflow design
Fan	1 (2200 rpm)	• Manual control: 120 minute timer or continuous ON
Space between shelves	3" (75 mm)	• Interior halogen light
Power requirements	1,500 Watts / 120 V / 60 / 1 Oven supplied with power cord and plug	• Heavy duty stainless steel body construction
Temperature	86° - 540° F	• "Cold Door" design with double pane glass
Equipped with	120 minute timer - Signal at end of cycle	• Reinforced door hinges
Cavity size (inches)	18.7" x 15.9" x 9.6" (WxDxH)	• Oven door can support weight limit of 60 lbs.
Unit dimensions (inches)	22.05" x 25.48" x 17.90" (WxDxH)	• Oven cavity is insulated with ultra-high temperature fiberglass insulation
Shipping dimensions (inches)	23.63" x 26.77" x 19.69" (WxDxH)	• 3 Stainless steel wire shelves
Net / Ship weight	58 lb / 68 lb	• Ovens can be staked (kit required)
		• Warranty: 2 years parts & 1 year labor exclusive of lights, gaskets and glass

OVEN STANDS & PROOFERS



AX-501 OVEN STAND
SHIP WT: **43 lbs**

- HD stand with tray slides for half size sheet pans
- Dimensions: 23.30" x 20.87" x 31.50"
- Accommodates any "5" series ovens



AX-PR5
SHIP WT: **133 lbs**



- Capacity: 8 half size sheet pans
- Space between pans: 3"
- 208-240/60/1, 2000 Watts
- Heat setting up to 140°F
- Manual fill water supply in bottom tray

CONVECTION ACCESSORIES



DEFLECTOR
CODE: **124-DEF**

- 1 is required for "5" series
- Air deflector plate for delicate baking

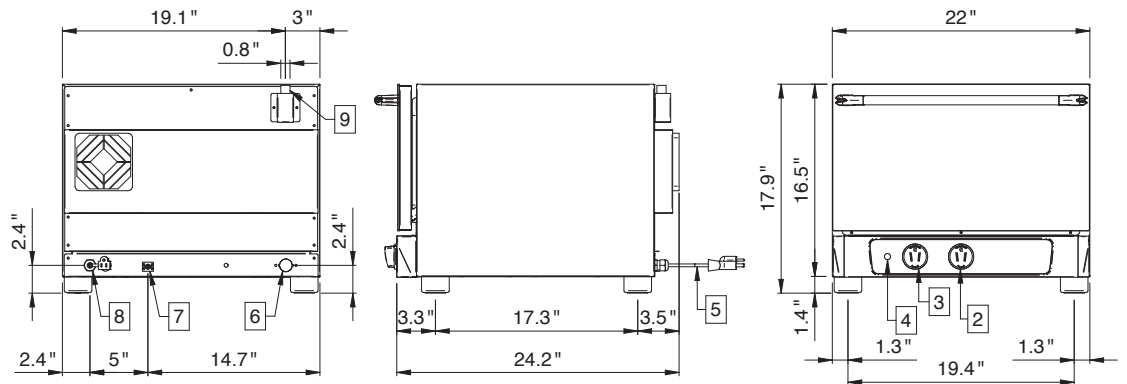


STACKING KIT "5" SERIES
CODE: **124-KIT5**

- Stacking kit for "5" Series

LINE DRAWINGS

AX-513



🇨🇦 514-737-9701 🇺🇸 786-600-4687

TOLL FREE: 888-275-4538

TOLL FREE: 844-218-8477

5659 ROYALMOUNT AVE, MONTREAL, QC, CANADA H4P2P9
12000 BISCAYNE BLVD, SUITE #108, MIAMI, FL, USA 33181

🌐 MVPGROUPCORP.COM ✉ SALES@MVPGROUPCORP.COM